

## FFTH1422U2

### HOME COMFORT THROUGH-THE-WALL AIR CONDITIONER/HEATER



#### PRODUCT DIMENSIONS

|        |         |
|--------|---------|
| Height | 14-1/2" |
| Width  | 24"     |
| Depth  | 20-5/8" |

#### MORE EASY-TO-USE FEATURES

**Supplemental Heating Option**  
With our supplemental heating capability, you can be comfortable regardless of the temperature outside — you have both heating and cooling solutions!

**Sleep Mode**  
With Sleep Mode, the temperature gradually increases a few degrees over the evening, saving energy and creating a comfortable environment during the evening hours.

**Remote Control**  
Offers you the flexibility to control the temperature and fan speed from anywhere in the room.

**Effortless™ Clean Filter**  
Our antibacterial filter reduces bacteria, room odors and other airborne particles for a healthier, more comfortable environment.

**Power Cord**  
Comes with an extra long three-prong cord — makes extension cords unnecessary.

**Effortless™ Restart**  
Automatically resumes operating at its previous settings when power is restored to your unit.

**Clean Filter Alert**  
Alert notifies you when your filter needs to be cleaned so you don't have to keep track of it yourself.

**Ready-Select® Controls**  
Easily select options with the touch of a button.

#### SIGNATURE FEATURES

**Effortless™ Temperature Control**  
Our air conditioners maintain the preset room temperature, so you will remain comfortable at all times.

**Programmable 24-Hour On/Off Timer**  
With the 24-Hour On/Off Timer, you can ensure your home will be cool and comfortable when you want it to be without having to worry about running up your utility bills. The built-in timer allows you to preset the unit to turn on and off in half-hour increments.

**Energy Saver Mode**  
Reduce your utility bills in this mode. It cools similarly to central air, with the unit turning on and off at different intervals to ensure the room temperature stays at the set temperature.

**Multi-Speed Fan**  
Features three different fan speeds, for more cooling flexibility.

| PERFORMANCE | BTUs          |
|-------------|---------------|
| Cool        | 14,000/14,000 |
| Heat        | 10,600/8,600  |

# FFTH1422U2 HOME COMFORT

# FRIGIDAIRE

## THROUGH-THE-WALL AIR CONDITIONER/HEATER

### PERFORMANCE

|                                  |               |
|----------------------------------|---------------|
| BTU (Cool)                       | 14,000/14,000 |
| BTU (Heat)                       | 10,600/8,600  |
| Dehumidification (Pints/Hour)    | 4.1           |
| Cool Area (Up To Sq. Ft.)        | 700           |
| Combined Energy Efficiency Ratio | 9.3           |
| Energy Efficiency Ratio          | 9.4           |

### ELECTRICAL

|                                  |              |
|----------------------------------|--------------|
| Volts                            | 230/208      |
| Amps (Cool)                      | 7.0/7.5      |
| Amps (Heat)                      | 15.8/14.5    |
| Watts (Cool)                     | 1,490/1,490  |
| Watts (Heat)                     | 3,450/2,820  |
| Length of Power Cord (Min./Max.) | 5.5'/6'      |
| Plug Type (NEMA)                 | LCDI (6-20P) |

### FEATURES

|                               |                         |
|-------------------------------|-------------------------|
| Electronic Controls           | Ready-Select® Controls  |
| Fan Speeds (Cool/Fan/Heat)    | 3/3/3                   |
| Low Voltage Start-Up          | Yes                     |
| Auto Cool Function            | Yes                     |
| Energy Saver Mode             | Yes                     |
| Sleep Mode                    | Yes                     |
| Filter Check                  | Yes                     |
| 24-Hour On/Off Timer          | Yes                     |
| Clean Air Ionizer             |                         |
| Remote Control                | Full-Function with Heat |
| Air CFM (High/Med/Low)        | 310/282/253             |
| Air Direction Control         | 6-Way                   |
| Fresh Air/Exhaust Vent/Closed | No/No/Yes               |
| Filter Type                   | Antibacterial Mesh      |
| Filter Access                 | Slide-Out               |
| Slide-Out Chassis             |                         |
| Warranty <sup>1</sup>         | Yes                     |

### OPTIONAL ACCESSORIES

|  |                |
|--|----------------|
| Through-The-Wall 18" Sleeve Kit              | PN# 5304514430 |
| Trim Kit (for larger existing sleeve)        | Included       |
| Architectural-Style Exterior Louvered Grille | PN# 5304515640 |

### CERTIFICATIONS

|             |      |
|-------------|------|
| Performance | AHAM |
|-------------|------|

### SPECIFICATIONS

|                           |         |
|---------------------------|---------|
| Refrigerant               | R410a   |
| Shipping Weight (Approx.) | 99 Lbs. |

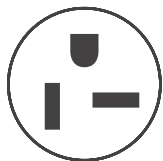
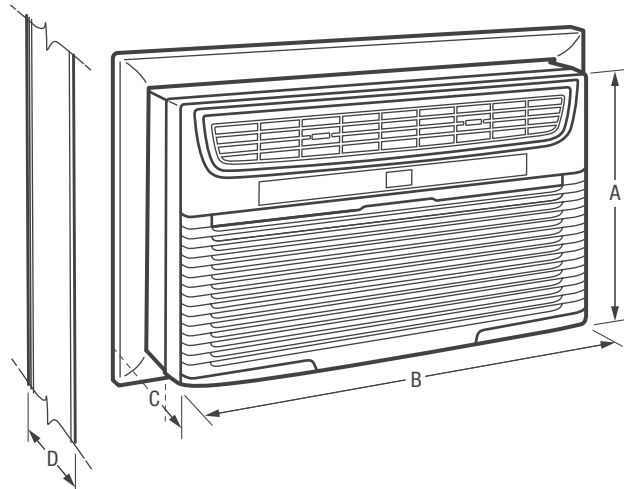
<sup>1</sup>Warranty five (5) years full parts and labor.

### PRODUCT DIMENSIONS

|                         |         |
|-------------------------|---------|
| A - Height              | 14-1/2" |
| B - Width               | 24"     |
| C - Depth               | 20-5/8" |
| D - Max. Wall Thickness | 18"     |

### SLEEVE CUTOUT DIMENSIONS

|        |           |
|--------|-----------|
| Height | 15-5/8"   |
| Width  | 25-15/16" |



Plug Type (NEMA)  
6-20P



**Note:** For planning purposes only. Always consult local and national electric, gas and plumbing codes. Refer to Product Installation Guide for detailed installation instructions on the web at [frigidaire.com](http://frigidaire.com).

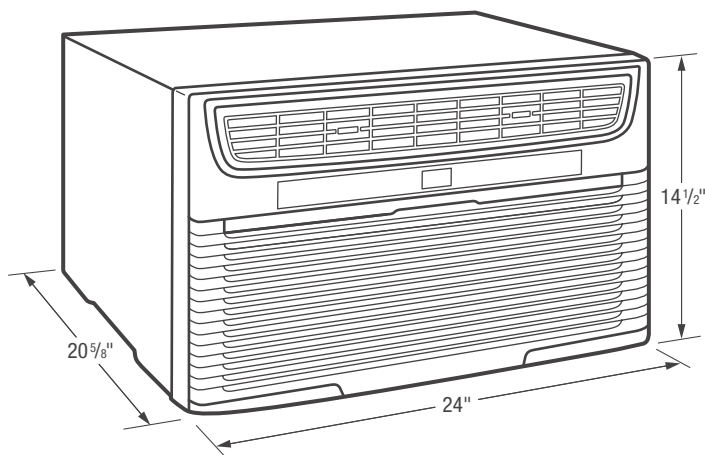
Specifications subject to change. Accessories information available on the web at [frigidaire.com](http://frigidaire.com)

**FRIGIDAIRE**

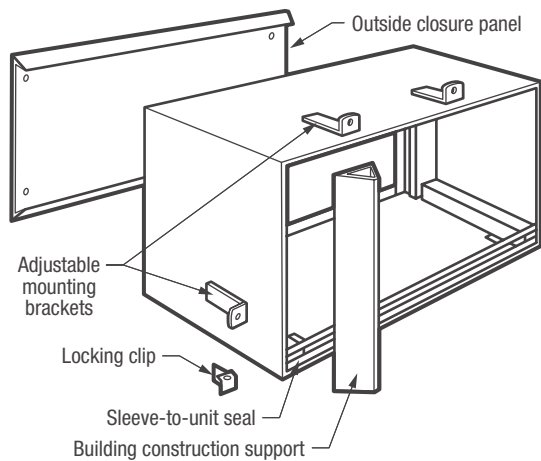
USA • 10200 David Taylor Drive • Charlotte, NC 28262 • 1-800-FRIGIDAIRE • [frigidaire.com](http://frigidaire.com)  
CANADA • 5855 Terry Fox Way • Mississauga, ON L5V 3E4 • 1-800-265-8352 • [frigidaire.ca](http://frigidaire.ca)

FFTH1422U2 03/18

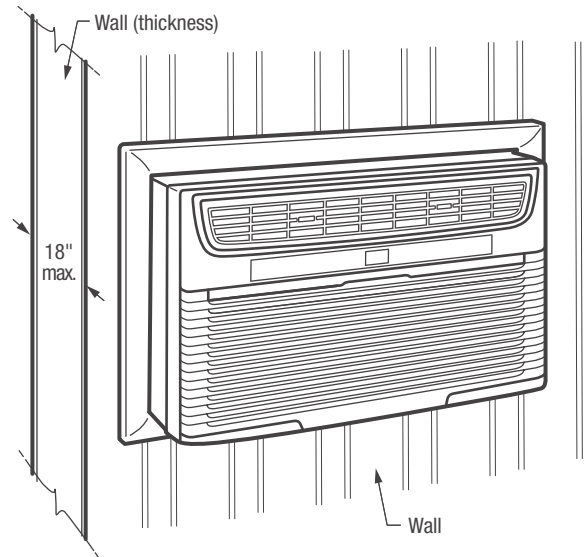
© 2018 Electrolux Home Products, Inc.



**Through-The-Wall 18" Sleeve Kit**  
(PN# 5304514430)



**Through-The-Wall Installation**



Plug Type (NEMA)  
6-20P

**INSTALLATION SPECIFICATIONS**

- Product Shipping Weight (approx.) - 99 Lbs.
- Single phase 3-wire cable, 230/208 Volt, 60 Hertz AC only electrical supply with ground required on separate circuit fused on both sides of line.
- Amps @ 230/208 Volts = (Cool) 7.0/7.5 Amps / (Heat) 15.8/14.5 Amps
- Recommended Circuit Breaker - 20 Amps
- Unit equipped with 230/208V 3-wire power supply cord, NEMA plug type 6-20P, approximately 72" long.
- Unit's increased performance characteristics result from two rear intakes. For unit to operate at maximum efficiency, carefully follow complete, detailed new or replacement installation instructions provided in Product Installation Guide on web.
- Unit requires rearward slope when installation is complete, to allow condensate to drain from rear of sleeve.

**NEW INSTALLATION**

- For new installation, Frigidaire® Through-The-Wall 18" Sleeve Kit PN# 5304514430 available. Recommended for proper installation.
- Through-the-wall installation requires 18" maximum wall thickness.
- For energy-saving purposes, install unit in shady location, preferably a northern exposure; and do not block airflow inside with blinds, curtains or furniture; or outside with shrubs, enclosures or other buildings.

**REPLACEMENT INSTALLATION**

- When replacing existing air conditioner with new unit, refer to Product Installation Guide on web to identify existing wall-sleeve manufacturer and size compatibility. If proper installation and slope are suspect, then correct installation of Frigidaire® Through-The-Wall 18" Sleeve Kit PN# 5304514430 recommended.
- Use of existing wall sleeve to mount new unit requires original sleeve be in sound structural condition with rear grille that attaches securely, or rear flange that serves as stop for unit.
- Preferable installation option, for increased efficiency and possibility of drafts reduced, requires existing rear grille (*mounted to sleeve*) be replaced with new unit's rear air-directional louvered grille (*provided in accessory kit, shipped with unit*). Non-preferable installation option of directly mounting rear louvered grille to unit can be considered, requiring grille be mounted to unit prior to sleeve installation.
- Existing decorative exterior grille may be left in place, provided that proper air-directional rear louvered grille is installed.
- For installation into larger existing sleeve, optional Trim Kit PN# EA120T available.

**OPTIONAL ACCESSORIES**

- Through-The-Wall 18" Sleeve Kit - (PN# 5304514430).
- Trim Kit (*for larger existing sleeve*) - Included.
- Architectural-Style Exterior Louvered Grille - (PN# 5304515640).

