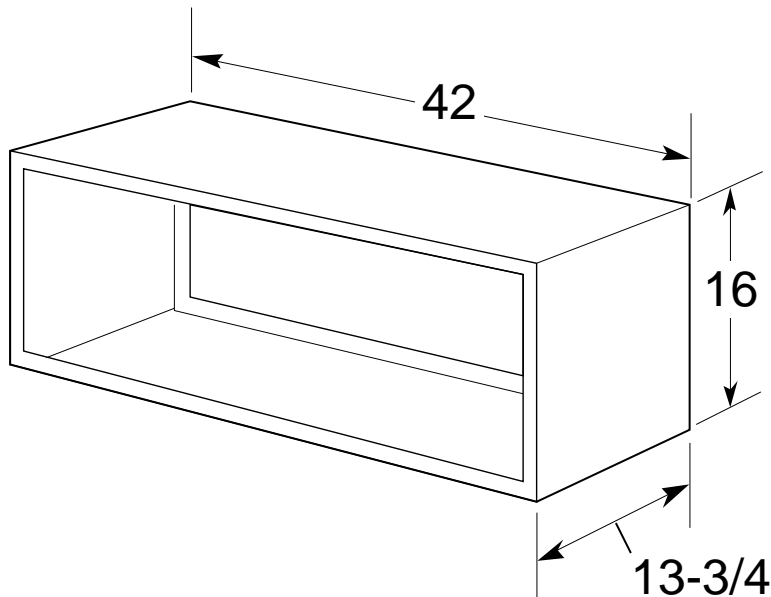




GE Appliances

RAB71—Zoneline Room Air Conditioner

Dimensions (in inches)



Zoneline Accessories:

RAB71 Insulated Wall Case—Heavy-gauge galvanized steel with insulation
Wall Opening Dimensions—42-1/4" and 16-1/4"

Grille Options:

RAG60—Stamped Aluminum Grille

Molded Exterior Architectural Louvers (Cycloloy)

RAG61/RAG64—Beige

RAG62/RAG65—Maple

RAG63/RAG66—Bittersweet

Note: Aluminum wiring may pose special problems—consult a qualified electrician.

Cooling Sizes: All units come in four nominal cooling sizes: 6,000 BTU, 9,000 BTU, 12,000 BTU and 15,000 BTU.

Resistance Heat: Resistance heat or back-up heat determined by Quick Connect power cord on the Premium Series and selected heat size for the Value Series, 15 amp. 6,800 BTU, 20 amp. 11,900 BTU, and 30 amp. 17,000 BTU @ 230 volt.

Installation Information:

Frame the Opening—The RAB77A SMC wall case requires an opening of 16-1/2" high x 42-3/8" wide. Position the sleeve, secure it to the studs and then caulk. Complete instructions are furnished with each unit.

Connect the Electrical Supply—Each Zoneline unit requires a 230/208V power supply. **It is strongly recommended that electrical connections be made by a qualified electrician. All wiring, including installation of the receptacle, must be in accordance with local codes.**

Slide in Chassis—With the wall sleeve, electrical receptacle and exterior grille in place, the separate chassis simply slides into position. Install the roomside cabinet and plug into the electrical receptacle.

For answers to your GE appliance questions, call
GE Answer Center® service, 800.626.2000.



Total volume and shelf area are calculated by the Association of Home Appliance Manufacturers' standards.



Listed by
Underwriters
Laboratories